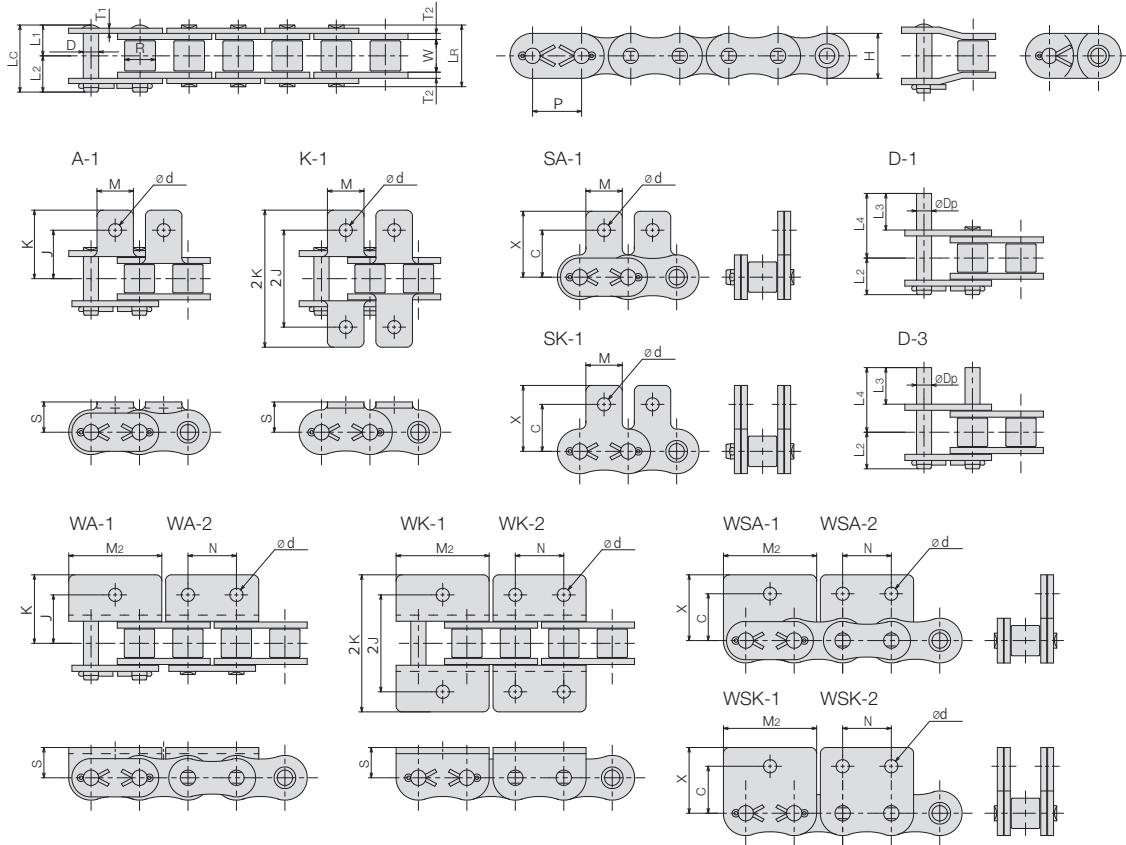


# Attachment Roller Chain

BS | Single Pitch | Attachment | ATT



BS Single Pitch

ANSI Single Pitch

ANSI Double Pitch

ENGL. 81X

Technical Information

SY Chain No.	Pitch P	Dimension - mm													Average Tensile Strength κN	Average Chain Weight kg/m
		Roller		Pin								Plate		Trans. Pitch TP		
		Width W	Dia. R	Dia. D	Length					Height H	Thickness					
			L <sub>R</sub>	L <sub>G</sub>	L <sub>1</sub>	L <sub>2</sub>	L <sub>3</sub>	L <sub>4</sub>		T <sub>1</sub>	T <sub>2</sub>					
SY 08B	12.70	7.75	8.51	4.45	16.7	18.2	8.4	9.2	14.8	21.8	11.8	1.5	13.92	19.60	0.61	
SY 10B	15.875	9.65	10.16	5.08	19.4	20.7	9.7	11.0	17.6	25.9	14.7	1.65	16.59	24.60	0.89	
SY 12B	19.05	11.68	12.07	5.72	22.0	23.6	11.0	12.6	20.7	30.5	16.1	1.8	19.46	32.20	1.14	
SY 16B	25.40	17.02	15.88	8.26	35.2	38.2	17.6	20.6	33.3	49.3	21.0	3.2	31.88	66.60	2.59	
SY 20B	31.75	19.56	19.05	10.16	40.2	44.0	20.1	23.9	38.3	56.6	26.4	3.5	36.45	105.00	3.76	

SY Chain No.	Common Dimensions					Original Dimensions						Additional Weight				
	M	M <sub>2</sub>	N	d	S	A, WA		K, WK		SA, SK, WSA, WSK		A, SA	K, SK	WA, WSA	WK, WSK	D-1
						J	K	2J	2K	C	X					
SY 08B	11.0	24.5	12.7	4.3	8.5	13.8	20.9	27.6	41.8	13.7	20.8	2.0	4.0	4.5	9.0	1.8
SY 10B	14.0	30.6	15.9	5.3	10.5	15.8	24.2	31.6	48.4	16.5	24.9	3.2	6.4	7.0	14.0	2.8
SY 12B	18.0	35.2	19.1	6.4	12.2	17.6	27.3	35.2	54.6	18.5	28.1	4.5	9.0	9.5	19.0	4.1
SY 16B	24.0	46.4	25.4	8.4	17.0	29.0	41.9	58.0	83.8	27.4	40.0	20.0	40.0	33.5	67.0	14.0
SY 20B	30.0	58.2	31.8	10.5	21.0	34.5	47.5	69.0	95.0	33.0	47.5	25.0	50.0	53.5	107.0	24.3

08B ATTから16B ATTの継手リンクは全てクリップ式です。20B ATTの継手リンクは割りピン式です。