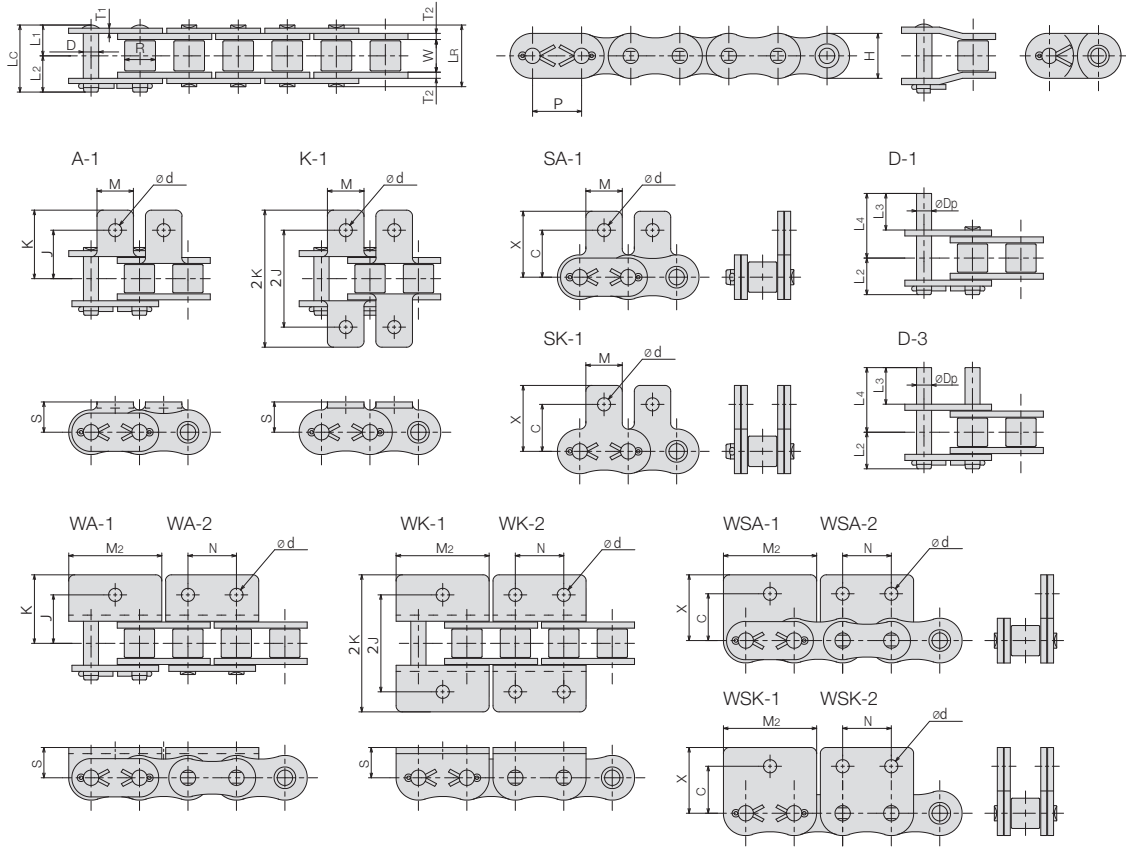


Attachment Roller Chain

BS | Single Pitch | Attachment | ATT



BS Single Pitch

ANSI Single Pitch

ANSI Double Pitch

ENGL. 81X

Technical Information

SY Chain No.	Pitch P	Dimension - mm													Average Tensile Strength κN	Average Chain Weight kg/m	
		Roller			Pin								Plate				Trans. Pitch TP
		Width W	Dia. R	Dia. D	Length								Height H	Thickness			
			L _R	L _C	L ₁	L ₂	L ₃	L ₄		T ₁	T ₂						
SY 08B	12.70	7.75	8.51	4.45	16.7	18.2	8.4	9.2	14.8	21.8	11.8	1.5	13.92	19.60	0.61		
SY 10B	15.875	9.65	10.16	5.08	19.4	20.7	9.7	11.0	17.6	25.9	14.7	1.65	16.59	24.60	0.89		
SY 12B	19.05	11.68	12.07	5.72	22.0	23.6	11.0	12.6	20.7	30.5	16.1	1.8	19.46	32.20	1.14		
SY 16B	25.40	17.02	15.88	8.26	35.2	38.2	17.6	20.6	33.3	49.3	21.0	3.2	31.88	66.60	2.59		
SY 20B	31.75	19.56	19.05	10.16	40.2	44.0	20.1	23.9	38.3	56.6	26.4	3.5	36.45	105.00	3.76		

SY Chain No.	Common Dimensions					Original Dimensions						Additional Weight				
	M	M ₂	N	d	S	A, WA		K, WK		SA, SK, WSA, WSK		A, SA	K, SK	WA, WSA	WK, WSK	D-1
						J	K	2J	2K	C	X					
SY 08B	11.0	24.5	12.7	4.3	8.5	13.8	20.9	27.6	41.8	13.7	20.8	2.0	4.0	4.5	9.0	1.8
SY 10B	14.0	30.6	15.9	5.3	10.5	15.8	24.2	31.6	48.4	16.5	24.9	3.2	6.4	7.0	14.0	2.8
SY 12B	18.0	35.2	19.1	6.4	12.2	17.6	27.3	35.2	54.6	18.5	28.1	4.5	9.0	9.5	19.0	4.1
SY 16B	24.0	46.4	25.4	8.4	17.0	29.0	41.9	58.0	83.8	27.4	40.0	20.0	40.0	33.5	67.0	14.0
SY 20B	30.0	58.2	31.8	10.5	21.0	34.5	47.5	69.0	95.0	33.0	47.5	25.0	50.0	53.5	107.0	24.3

Connecting links are "clip" style for all sizes 08B ATT to 16B ATT. Connecting links are "cotter" style for size 20B ATT.