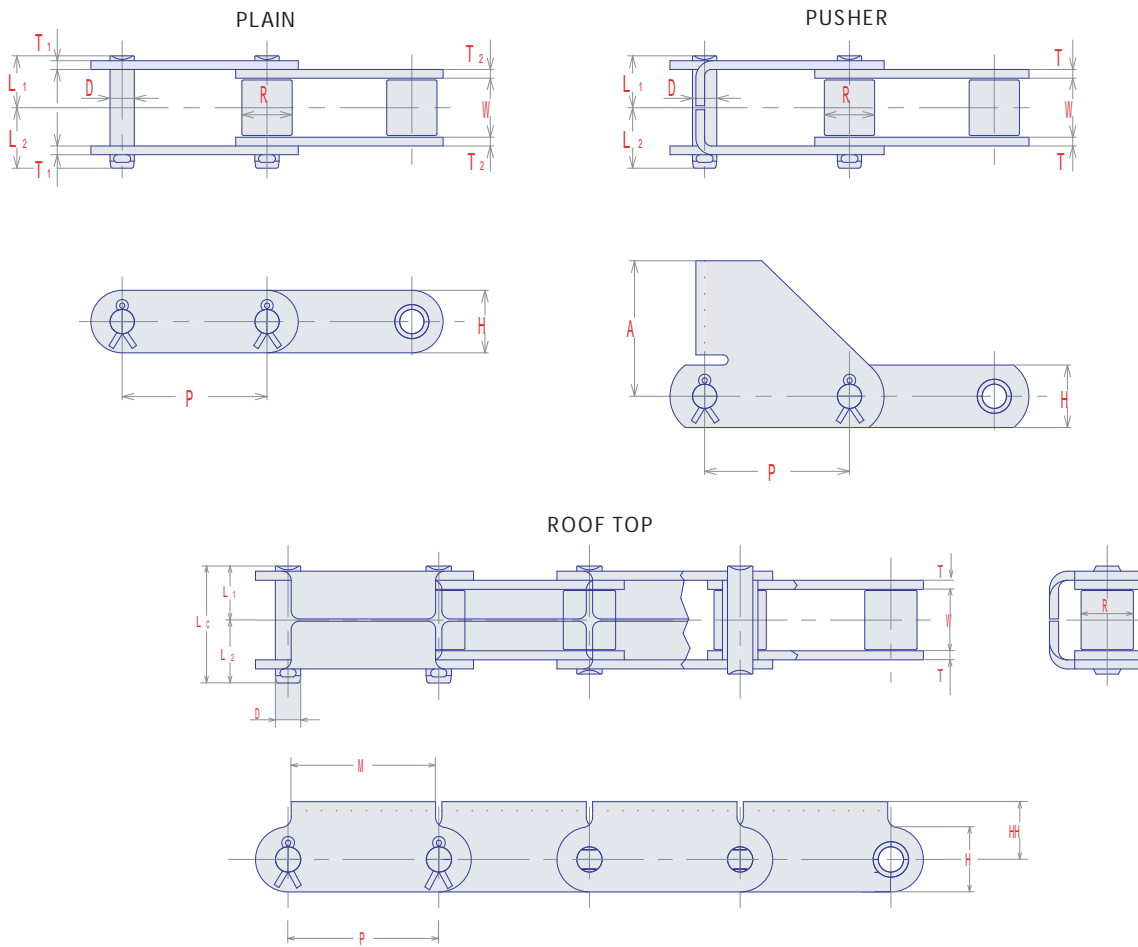


81X Series



81X . 81XH. 81XH-S

SY Chain No.	Dimensions - mm									Average Ultimate Strength	Approx. Weight
	Pitch	Roller		Pin		Plate		Height	Thickness		
		Width	Dia.	Dia.	Length	Thickness	Thickness				
P	W	R	D	L1	L2	H	T1	T2	kN	kg/m	
81X	66.27	27.0	23.0	11.1	24.0	28.4	28.6	3.9	3.9	110	3.9
81XH	66.27	27.0	23.0	11.1	30.2	34.1	32.1	5.5	8.0	187	5.8
81XH-S	66.27	27.0	23.0	11.1	32.0	36.3	32.1	8.0	8.0	187	6.8

81X PUSHER

SY Chain No.	Dimensions - mm									Average Ultimate Strength
	Pitch	Roller		Pin		Plate		Height	Thickness	
		Width	Dia.	Dia.	Length	Height	Thickness			
P	W	R	D	L1	L2	H	A	T	kN	
81X Pusher	66.27	27.0	23.0	11.1	24.0	28.4	28.6	65.1	3.9	110

81X ROOF TOP CHAIN

SY Chain No.	Dimensions - mm										Average Ultimate Strength	Approx. Weight
	Pitch	Roller		Pin		Plate		Roof Width	Roof Height			
		Width	Dia.	Dia.	Length	Height	Thick					
P	W	R	D	L1	L2	H	T	M	HH	kN	kg/m	
81X Roof Top Chain	66.27	27.0	23.0	11.1	24.0	28.4	28.6	3.9	63.5	25.4	110	5.5